



Now Cam™

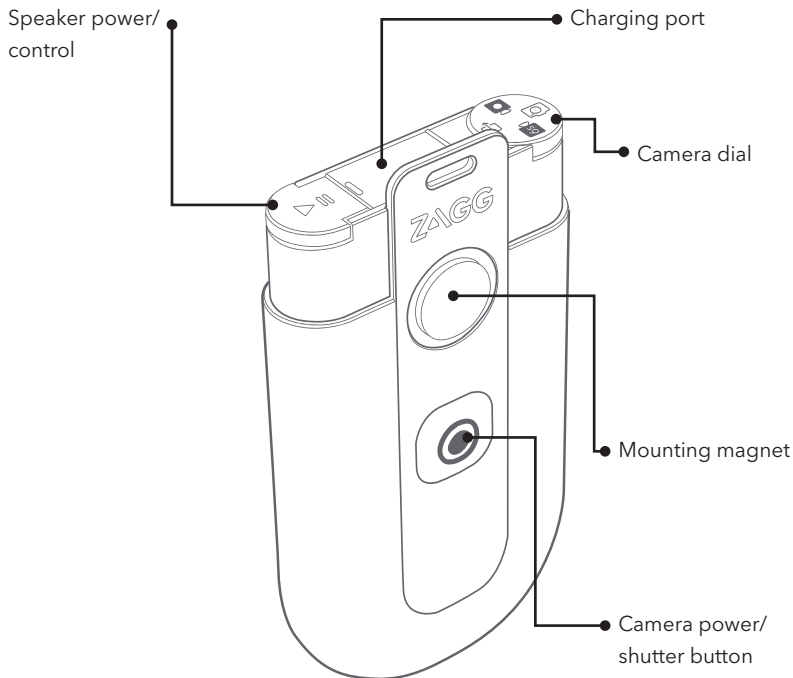
Instructions

***WARRANTY REGISTRATION**

Your ZAGG Now Cam™ comes with a one-year manufacturer's warranty. In order to activate the warranty, you must register your Now Cam as well as keep your purchase receipt. If you purchased your ZAGG Now Cam from zagg.com, ZAGG has already registered it and has a copy of your proof of purchase.

INTRODUCTION

Welcome to your next adventure. The ZAGG Now Cam offers a simple way to capture your memories without the risk of scratching or losing your phone. Listen to music, take hands-free calls, record videos, or snap some pictures while you hang with friends and capture moments that will last a lifetime. The following instructions will show you how to get the most from your Now Cam - keep them for future reference.



USING THE SPEAKER

Power and Pairing

Pairing your Now Cam is easy and only needs to be done once; after that the Now Cam will automatically pair with your devices when you turn it on. The Now Cam remembers multiple devices and does not need to be paired in order for the camera to work – pairing is for music only.

1. Press and hold the Speaker Power/Control button for three seconds to turn your Now Cam speaker on. A tone will sound and the LED next to the camera lens will light red indicating it is powered on.
2. The first time you turn your Now Cam speaker on, it will automatically enter pairing mode. This is indicated by the LED flashing red then blue every second. To pair your Now Cam with multiple devices, press and hold the power button for five seconds when you power it on to force it into pairing mode.
3. Access the Bluetooth® settings on your device and ensure your Bluetooth connection is on.
4. Your device's Bluetooth menu will display "ZAGG Now Cam" as available for pairing. Select this option and complete any additional pairing steps according to your device. Another tone will indicate a successful pair and the LED will flash blue every seven seconds while paired.
 - a. If pairing is not successful after 60 seconds, your Now Cam speaker will stop searching for devices to pair with and the LEDs will stop flashing. When it is paired, a tone will sound if your Bluetooth connection is lost for any reason; if the connection is lost, the Now Cam will automatically begin searching for a device to pair with and will continue searching for 60 seconds. If no device is found, the LEDs will stop flashing and the Bluetooth function will turn off, though your camera will still work. To initiate pairing again, turn your Now Cam Speaker off and then back on. If you are pairing your Now Cam with a second device, press and hold the speaker power button for five seconds as described above.
5. When you are ready to turn your Now Cam speaker off, press and hold the Speaker Power/Control button for three seconds. A tone will accompany the LED lighting red to indicate your Now Cam speaker is off. **Note: Your Now Cam speaker will automatically power off if it sits idle for 15 minutes. The camera will automatically power off if it sits idle for five minutes.**

PLAYING MUSIC

Once paired, your Now Cam is ready to deliver portable music anywhere you go. Here's how to control your music:

1. Follow the pairing instructions as described above.
2. Select a playlist on your device.
3. Press the Play button on your Now Cam.
 - a. Press the Play button again to pause or resume your music.
 - b. Press the Play button twice quickly to track forward on your selected playlist. **Note: Your Now Cam speaker will enter sleep mode if no music is played for 60 seconds. The LED will continue to flash blue indicating your Now Cam is still paired. Begin playing music again to wake it.**

TAKING CALLS

Your Now Cam has a built-in mic that allows you to use it as a hands-free phone. If you are listening to music, your music will pause automatically during a call and resume automatically at the end. Here's how to talk while you're out adventuring:

1. Press the Play button once to answer an inbound call.
2. Press the Play button again to end the call. If you were playing music when the call came in it will mute and then resume playing automatically when the call is disconnected.

USING THE CAMERA

Your Now Cam has 4GB of built-in storage - that's enough to hold up to 1600 HD® pictures or 30 minutes of video! Transferring your pictures and videos is a snap and only takes a few seconds - leaving you more time for fun. See below for instruction on using the camera.

DOWNLOAD THE APP

In order for the Now Cam camera to transfer files to your device, you'll need to download its app. It can be found by searching for "ZAGG Now Cam" on the App Store or Google Play. Follow the app download process for your device and you're ready to go.

TAKING PICTURES

Taking pictures with your Now Cam camera is as simple as pointing and shooting. Here's how to do it:

1. Ensure your Now Cam camera is turned on by pressing and holding the Camera Power/Shutter button for three seconds. A tone will sound and the LED next to the camera lens will light red, indicating it is powered on.
2. Turn the camera dial so that the camera icon is aligned with the red selection nub.
3. Press the shutter button once.
4. Each time you take a picture, a shutter click will sound and the LED next to the mounting magnet will blink red once. **Note: If you are playing music while taking pictures your music will fade for the shutter click and then resume playing automatically. This is so you can verify a picture has been taken.**

CAPTURING BURST VIDEOS

Your Now Cam is able to capture short six-second videos - perfect for sharing your good times on social media. Recall, your Now Cam does not need to be connected via Bluetooth in order for the camera to work. Here's how to snag those short clips:

1. Ensure your Now Cam camera is powered on as described above.
2. Turn the camera dial so that the 6s icon is aligned with the red selection nub.
3. Press the shutter button once.
4. A tone will indicate the camera is warmed up and recording. If you were playing music when you begin recording, your music will mute until recording stops; after you stop recording it will resume playing automatically.
5. While recording, the LED next to the camera lens will flash red every second. Your Now Cam will automatically stop recording after six seconds; you can also press the shutter button again to stop recording.

CAPTURING CONTINUOUS VIDEO

For those times when you need more than a picture, or longer than six seconds of recording, your Now Cam is ready to record up to 30 minutes of continuous video. Recall, your Now Cam does not need to be connected via Bluetooth in order for the camera to work. Keep reading to see how it's done.

1. Ensure your Now Cam camera is powered on as described above.
2. Turn the camera dial so that the video icon is aligned with the red selection nub.
3. Press the shutter button once.
4. A tone will indicate the camera is warmed up and recording. If you were playing music when you begin recording, your music will mute until recording stops; after you stop recording it will resume playing automatically.
5. While recording, the LED next to the camera lens will flash red every second. Press the shutter button again to stop recording.

TRANSFERRING DATA VIA WI-FI

Once you've captured some amazing photos or videos, transferring them to your mobile device is a breeze. Here's how easy it is:

1. Ensure your Now Cam camera is powered on as described above.
2. Turn the camera dial so that the download icon is aligned with the red selection nub.
3. Open your device's Wi-Fi settings and select "ZAGG Now Cam".
4. Open the Zagg Now Cam app on your device.
5. Open the app's Camera Roll.
6. Select which photos and videos you'd like to transfer by touching them. A checkbox will appear on marked pictures and videos.
7. Touch the download icon on the app. Selected files will begin transferring to your phone's camera roll. **Note: Photos and videos you have taken with the Now Cam will only be viewable on the device when the camera dial is turned to the download icon and the Now Cam is connected to your device via Wi-Fi. Also, Wi-Fi transfer is primarily intended for images and short videos. We recommend using the included micro USB cable to transfer large files.**

TRANSFERRING DATA VIA MICRO USB

You can also quickly and easily transfer your photos and videos directly to your computer using the included micro USB cable. Here's how:

1. Connect the included micro USB cable to your Now Cam by lifting the cover located next to the camera dial.
2. Connect the USB end of the included cable to your computer. Your camera will automatically turn on.

3. Your computer will recognize the Now Cam as a new drive. Copy and paste files to your preferred location, or simply drag and drop them.
4. When your files have transferred, the LED will flash red every two seconds indicating that your Now Cam is charging.
5. Remove the included cable when you're ready, and keep on adventuring.

GENERAL INSTRUCTIONS

Charging

Your Now Cam is ready to deliver hours of music, pictures, and video*. It will alert you when the battery reaches 20% capacity. Recharging it is quick and easy. Here's how:

1. The LED next to the mounting magnet will flash red every seven seconds once your Now Cam's rechargeable battery reaches 20% capacity remaining.
2. Lift the cover located between the camera dial and power button to expose the micro USB port.
3. Connect the included micro USB cable to the port.
4. Connect the USB end of the cable to your preferred USB outlet. The LED will light red while charging.
5. When the LED turns off, your Now Cam is fully charged. Remove the charging cable and continue your adventures.

*Hours of use varies according to music play time and recording time. Recording requires more power and will use your Now Cam's battery faster.

INSTALLING AND USING THE LANYARDS

Your Now Cam includes three convenient lanyards that help ensure it stays with you during your adventures. Installing the lanyards is a cinch - here's how:

1. Feed the thin end of a lanyard through the hole in your Now Cam that is just above the mounting magnet. Pull until the detachable clip on the lanyard touches the hole.
2. Wrap the lanyard up and over the hole and place it through the thin end you just fed through the hole.
3. Pull the lanyard completely through the thin end until the thin end tightens upon itself.
4. Pass your hand through the lanyard for extra security during your activities.

MOUNTING YOUR NOW CAM

Your Now Cam comes with a powerful mounting magnet. Simply place the magnet on a metal surface, follow the “Capturing Continuous Video” instructions, and capture awesome action shots. The mounting magnet also works seamlessly with the Now Cam Mount (sold separately) and makes attaching your Now Cam virtually anywhere a breeze.

ERASING CONTENT FROM YOUR NOW CAM

If you ever want to wipe your Now Cam’s memory completely clean, you can do so through the app. Note, this permanently deletes all stored data on your Now Cam and any lost files cannot be recovered. Only erase content from your Now Cam after you have transferred any files you wish to keep.

1. Ensure your Now Cam is powered on.
2. Connect your camera to Wi-Fi as described above.
3. Select the gear icon in the app.
4. Select “Remove all pics/videos from Now Cam” under the Erase section, and then select Erase.
5. The App will display a message stating that all content has been erased.

To reach a trained customer service representative, please use one of the following:
ZAGG.com/support/contact.php | questions@zagg.com
1-800-700-ZAGG [9244] | 00-1-801-839-3906 for international customers

For unparalleled scratch protection for your mobile device, we recommend ZAGG's InvisibleShield®.

©2016 ZAGG Inc All Rights Reserved | NASDAQ: ZAGG | MADE IN CHINA

Bluetooth® is a trademark of Bluetooth SIG, Inc.

ZAGG®, Now Cam™, and InvisibleShield®, are trademarks or registered trademarks of ZAGG Inc.

FCC STATEMENT

This device complies with Part 15 of the FCC Rules. Operation is subject to the following two conditions: (1) This device may not cause harmful interference, and (2) this device must accept any interference received, including interference that may cause undesired operation.

This equipment has been tested and found to comply with the limits for a Class B digital device, pursuant to Part 15 of the FCC Rules. These limits are designed to provide reasonable protection against harmful interference in a residential installation. This equipment generates, uses and can radiate radio frequency energy and, if not installed and used in accordance with the instructions, may cause harmful interference to radio communications. However, there is no guarantee that interference will not occur in a particular installation. If this equipment does cause harmful interference to radio or television reception, which can be determined by turning the equipment off and on, the user is encouraged to try to correct the interference by one of the following measures:

- Reorient or relocate the receiving antenna.
- Increase the separation between the equipment and receiver.
- Connect the equipment into an outlet on a circuit different from that to which the receiver is connected.
- Consult the dealer or an experienced radio/TV technician for help.

FCC Caution: Any changes or modifications not expressly approved by the party responsible for compliance could void the user's authority to operate this equipment.

This transmitter must not be co-located or operating in conjunction with any other antenna or transmitter.

The product comply with the FCC portable RF exposure limit set forth for an uncontrolled environment and are safe for intended operation as described in this manual. The further RF exposure reduction can be achieved if the product can be kept as far as possible from the user body or set the device to lower output power if such function is available.



Now Cam™

Instructions

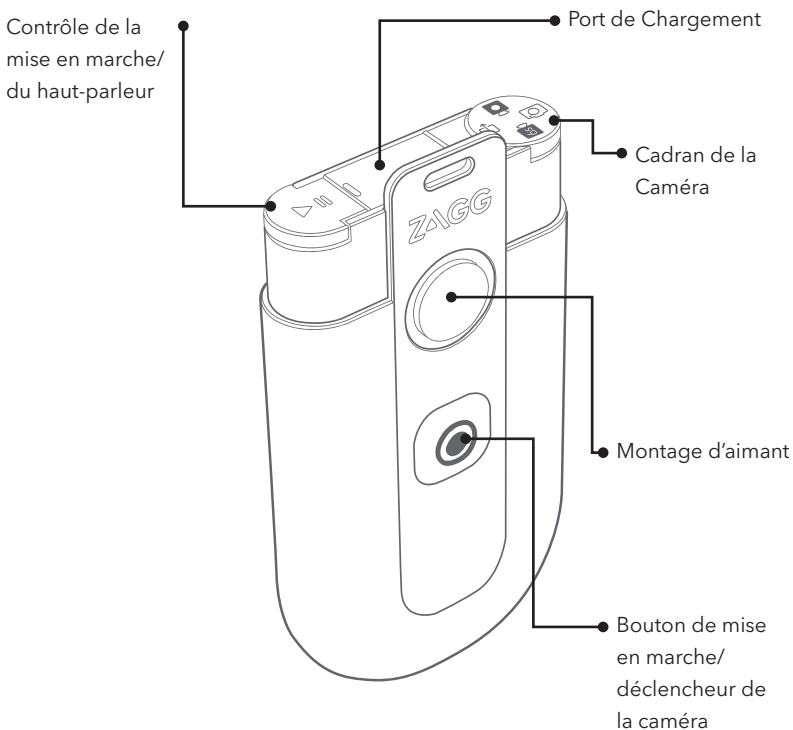
ENREGISTREMENT DE LA GARANTIE

Votre ZAGG Now Cam™ est livré avec une garantie constructrice d'un an. Pour activer la garantie, vous devez enregistrer votre Now Cam ainsi que de garder votre reçu d'achat. Si vous avez acheté votre ZAGG Now Cam de zagg.com, ZAGG a déjà enregistré et dispose d'une copie de votre preuve d'achat.

BESOIN D'AIDE SUPPLÉMENTAIRE ? VOIR NOTRE SECTION FAQ À L'ADRESSE : WWW.ZAGG.COM/FAQ

INTRODUCTION

Bienvenue à votre prochaine aventure. Le ZAGG Now Cam offre un moyen simple pour capturer vos souvenirs sans les risques de rayures ou de perdre votre téléphone. Écouter de la musique, prendre des appels mains-libres, enregistrer des vidéos ou prendre quelques photos pendant que vous traînez avec des amis et capturer des moments qui dureront toute une vie. Les instructions suivantes vont vous montrer comment obtenir le maximum de votre Now Cam - les garder pour référence future.



Allumer et Jumeler

Jumelage de votre Now Cam est facile et doit seulement être effectuée qu'une seule fois ; après ça le Now Cam jumeler automatiquement avec vos appareils lorsque vous l'allumez. Le Now Cam se souvient de multiples dispositifs et n'a pas besoin d'être jumelé pour que la caméra fonctionne - jumelage est pour la musique seulement.

1. Appuyez et maintenez le bouton de Mise en Marche du Haut-Parleur/Contrôle pendant trois secondes pour allumer votre Now Cam haut-parleur. Une tonalité sonnera et le LED à côté de la lentille de la caméra devient rouge pour indiquer qu'il est allumé.
2. La première fois que votre Now Cam haut-parleur est allumé, il passe automatiquement en mode de jumelage. Ceci est indiqué par le LED rouge clignotant puis bleu à chaque seconde. Pour jumeler votre Now Cam avec plusieurs appareils, appuyez et maintenez le bouton de mise en marche du haut-parleur pendant cinq secondes lorsque vous l'allumez pour la forcer en mode de jumelage.
3. Accédez aux paramètres de Bluetooth® sur votre appareil et vous assuré que votre connexion de Bluetooth est activée.
4. Le menu de Bluetooth de votre appareil affichera "ZAGG Now Cam" comme disponible pour le jumelage. Sélectionnez cette option et effectuer toutes les étapes de jumelage supplémentaires en fonction de votre appareil. Une autre tonalité indiquera un jumelage réussi et la LED clignote en bleu toutes les sept secondes pendant le jumelage.
 - a. Si le jumelage ne réussit pas après 60 secondes, votre Now Cam haut-parleur va arrêter la recherche pour les appareils à jumeler et les LEDs cessent de clignoter. Quand il est jumeler, une tonalité sonnera si votre connexion de Bluetooth est perdue pour une raison quelconque ; si la connexion est perdue, le Now Cam commence automatiquement à la recherche d'un appareil à jumeler et continuera de chercher pendant 60 secondes. Si aucun appareil est détecté, les LEDs cessent de clignoter et la fonction de Bluetooth seront désactiver, mais votre caméra fonctionne toujours. Pour lancer à nouveau jumelage, éteindre et allumer votre Now Cam haut-parleur. Si vous jumelez votre Now Cam avec un second dispositif, appuyez et maintenez le bouton de mise en marche du haut-parleur pendant cinq secondes comme décrit ci-dessus.
5. Lorsque vous êtes prêt à éteindre votre Now Cam haut-parleur, appuyez

et maintenez le bouton de Mise en Marche du Haut-Parleur / Contrôle pendant trois secondes. Une tonalité accompagne le rouge éclairage de LED pour indiquer que votre Now Cam haut-parleur est éteint. **Note: Votre Now Cam haut-parleur éteint automatiquement si elle reste inactive pendant 15 minutes. La caméra éteint automatiquement si elle reste inactive pendant cinq minutes.**

JOUER DE LA MUSIQUE

Une fois jumelé, votre Now Cam est prête à livrer la musique ultra portable partout où vous allez. Voici comment contrôler votre musique:

1. Suivez les instructions de jumelage comme décrit ci-dessus.
2. Sélectionnez une liste de lecture sur votre appareil.
3. Appuyez sur le bouton Lecture de votre Now Cam.
 - a. Appuyez de nouveau sur le bouton de Lecture pour interrompre ou reprendre votre musique.
 - b. Appuyez sur le bouton de Lecture deux fois rapidement pour suivre en avant sur votre liste de lecture sélectionnée. **Note: Votre Now Cam haut-parleur passera en mode veille si aucune musique n'est jouée pendant 60 secondes. La LED continuera à clignoter en bleu indiquant que votre Now Cam est toujours jumelé. Commencez à jouer à nouveau la musique pour le réveiller.**

PRENDRE DES APPELS

Votre Now Cam a un micro intégré qui vous permet de l'utiliser comme un téléphone mains-libres. Si vous écoutez de la musique, votre musique se interrompre automatiquement lors d'un appel et reprend automatiquement à la fin. Voici comment parler pendant que vous êtes à l'aventure:

1. Appuyez sur le bouton de Lecture une fois pour répondre à un appel entrant.
2. Appuyez de nouveau sur le bouton Lecture pour terminer l'appel. Si vous jouiez à la musique lorsque l'appel est venu, il muet, puis reprendre la lecture automatiquement lorsque l'appel est déconnecté.

UTILISATION DE LA CAMÉRA

Votre Now Cam a 4GB de stockage intégré - qui est suffisant pour contenir jusqu'à 1600 images HD® ou 30 minutes de vidéo! Transfert de vos photos et vidéos est facile et prend juste quelques secondes - vous laissant plus de temps pour le plaisir. Voir ci-dessous pour l'instruction sur l'utilisation de la caméra.

TÉLÉCHARGER L'APP

Pour que la Now Cam caméra transfère des fichiers sur votre appareil, vous aurez besoin de télécharger son application. Il peut être trouvé en cherchant "ZAGG Now Cam" sur l'App Store, ou Google Play. Suivez le processus de téléchargement de l'application pour votre appareil et vous êtes prêt à aller.

PRENDRE DES PHOTOS

Prendre des photos avec votre Now Cam caméra est aussi simple que de pointage et de tir. Voici comment faire :

1. Vérifiez que votre Now Cam caméra est allumée en appuyant sur le bouton de Mise en Marche / Déclencheur de caméra pendant trois secondes. Une tonalité sonnera et le LED à côté de la lentille de la caméra devient rouge pour indiquer qu'il est allumé.
2. Tournez le cadran de la caméra de sorte que l'icône de la caméra est alignée avec la sélection nœud rouge.
3. Appuyez sur le bouton d'obturateur une fois.
4. Chaque fois que vous prenez une photo un son d'un clic du déclencheur sonnera et la LED à côté de l'aimant de montage clignote rouge une fois.
Remarque : Si vous écoutez de la musique en prenant des photos votre musique va disparaître pour le clic du déclencheur puis reprendre la lecture automatiquement. Il en est ainsi pour que vous puissiez vérifier une photo a été pris.

CAPTURER DES VIDÉOS DE COURTES DURÉES

Votre Now Cam est capable de capturer de courtes vidéos de six secondes - idéal pour partager vos bons moments sur les médias sociaux. Rappel, votre Now Cam n'a pas besoin d'être connecté via Bluetooth pour que la caméra fonctionne. Voici comment faire pour accrocher ces courtes séquences :

1. Vérifiez que votre Now Cam caméra est allumé, comme décrit ci-dessus.
2. Tournez le cadran de la caméra afin que l'icône 6s soit aligné avec la sélection nœud rouge.
3. Appuyez sur le bouton de déclencheur une fois.
4. Une tonalité indiquera que l'appareil est réchauffé et enregistre. Si vous jouiez à la musique lorsque vous commencez l'enregistrement, votre musique se met en pause jusqu'à l'arrêt de l'enregistrement; après vous arrêtez l'enregistrement, il reprendra automatiquement la lecture.

5. Pendant l'enregistrement, la LED à côté de la lentille de la caméra clignote en rouge à chaque seconde. Votre Now Cam arrête automatiquement l'enregistrement après six secondes ; vous pouvez également appuyer à nouveau sur le bouton de déclencheur pour arrêter l'enregistrement.

CAPTURER DES VIDÉOS EN CONTINUE

Pour les moments où vous avez besoin de plus qu'une image, ou plus de six secondes d'enregistrement, votre Now Cam est prêt à enregistrer jusqu'à 30 minutes de vidéo en continu. Rappel, votre Now Cam n'a pas besoin d'être connecté via Bluetooth pour que la caméra fonctionne. Continuez votre lecture pour voir comment il est fait.

1. Vérifiez que votre Now Cam est allumé, comme décrit ci-dessus.
2. Tournez le cadran de la caméra de sorte que l'icône de la vidéo est alignée avec la sélection nœud rouge.
3. Appuyez sur le déclencheur une fois.
4. Une tonalité indiquera que l'appareil est réchauffé et enregistre. Si vous jouez à la musique lorsque vous commencez l'enregistrement, votre musique se met muet jusqu'à l'arrêt de l'enregistrement ; après vous arrêtez l'enregistrement, il reprendra automatiquement la lecture.
5. Pendant l'enregistrement, la LED à côté de la lentille de la caméra clignote en rouge à chaque seconde. Appuyez de nouveau sur le bouton de déclencheur pour arrêter l'enregistrement.

TRANSFERT DE DONNÉES VIA WI-FI

Une fois que vous avez capturé quelques photos ou des vidéos incroyables, les transférer vers votre appareil mobile est facile. Voici comment il est facile :

1. Vérifiez que votre Now Cam caméra est allumé.
2. Tournez le cadran de la caméra de sorte que l'icône de téléchargement est aligné avec la sélection nœud rouge.
3. Ouvrez les paramètres Wi-Fi de votre appareil et sélectionnez "ZAGG Now Cam".
4. Ouvrez l'application Zagg Now Camera votre appareil.
5. Ouvrez rouleau de caméra de l'application.
6. Sélectionnez les photos et des vidéos que vous souhaitez transférer en les touchant. Une case à cocher apparaît sur les photos et vidéos marquées.
7. Appuyez sur l'icône de téléchargement sur l'app. Les fichiers sélectionnés

seront commencé à transférer au rouleau de caméra de votre téléphone.

Remarque : Les photos et les vidéos que vous avez prises avec le Now Cam seulement seront visibles sur l'appareil lorsque le cadran de caméra est tourné vers l'icône de téléchargement et le Now Cam est connecté à votre appareil via Wi-Fi. En outre, le transfert Wi-Fi est principalement destiné aux images et de courtes vidéos. Nous vous recommandons d'utiliser le câble micro USB fourni pour transférer de gros fichiers.

TRANSFERT DE DONNÉES VIA MICRO USB

Vous pouvez également transférer rapidement et facilement vos photos et vidéos directement sur votre ordinateur via le câble micro USB inclus. Voici comment:

1. Branchez le câble micro USB fourni à votre Now Cam en soulevant le couvercle situé à côté du cadran de la caméra.
2. Branchez l'extrémité USB du câble fourni à votre ordinateur. Votre appareil s'allume automatiquement.
3. Votre ordinateur va reconnaître le Now Cam comme un nouveau lecteur. Copiez et collez des fichiers à votre emplacement préféré, ou tout simplement faire glisser et déposez-les.
4. Lorsque vos fichiers ont transféré la LED clignote en rouge toutes les deux secondes, indiquant que votre Now Cam est en charge.
5. Retirez le câble fourni lorsque vous êtes prêt, et continuer à l'aventure.

INSTRUCTIONS GÉNÉRALES

Charge

Votre Now Cam est prête à livrer heures de musique, photos et vidéo *. Il vous alertera lorsque la pile atteint 20% de sa capacité. Recharge est rapide et facile. Voici comment:

1. La LED à côté de l'aimant de montage clignote en rouge toutes les sept secondes une fois la pile rechargeable de votre Now Cam atteint 20% de la capacité restante.
2. Soulevez le couvercle situé entre le cadran du camera et le bouton d'alimentation pour exposer le port micro USB.
3. Branchez le câble micro USB fourni au port.
4. Branchez l'extrémité USB du câble à votre prise USB préféré. Le LED sera rouge pendant le chargement.
5. Lorsque le LED éteint votre Now Cam est complètement chargée. Retirer le câble de recharge et continuer vos aventures.

* Heures d'utilisation varie en fonction du temps de lecture de musique et de temps d'enregistrement. Enregistrement nécessite plus de puissance et utiliser la pile de votre Now Cam plus rapidement.

INSTALLATION ET UTILISATION DES CORDONS

Votre Now Cam comprend trois cordons pratiques qui permettent de garantir qu'il reste avec vous lors de vos aventures. L'installation des cordons est facile-voici comment:

1. Insérez l'extrémité mince du cordon dans le trou dans votre Now Cam qui est juste au-dessus de l'aimant de montage. Tirez jusqu'à ce que la pince amovible sur le cordon touche le trou.
2. Enroulez le cordon sur le trou et placez-le jusqu'à la fin mince que vous venez nourri à travers le trou.
3. Retirez le cordon complètement à travers l'extrémité mince jusqu'à la fin mince resserre sur lui-même.
4. Passez votre main à travers le cordon pour plus de sécurité lors de vos activités.

MONTAGE DE VOTRE NOW CAM

Votre Now Cam est livré avec un aimant puissant de montage. Il suffit de placer l'aimant sur une surface métallique, suivez les instructions «Capture des vidéos en continue», et prendre des impressionnants photos d'action. L'aimant de montage fonctionne également parfaitement avec le Now Cam Mount (vendu séparément) et permet de connecter votre Now Cam pratiquement partout une brise.

EFFACEMENT DU CONTENU DE VOTRE NOW CAM

Si jamais vous souhaitez effacer la mémoire de votre Now Cam complètement propre, vous pouvez le faire via l'application. Remarque, cela supprime définitivement toutes les données stockées sur votre Now Cam et tous les fichiers perdus ne peuvent pas être récupéré. Seulement effacer le contenu de votre Now Cam après avoir transféré des fichiers que vous souhaitez conserver.

1. Vérifiez que votre Now Cam est allumé.
2. Connectez votre caméra à Wi-Fi comme décrit ci-dessus.
3. Sélectionnez l'icône d'engrenage dans l'application.
4. Sélectionnez «Supprimer toutes les photos / vidéos du Now Cam» sous la section Effacer, puis sélectionnez Effacer.
5. L'application affiche un message indiquant que tout le contenu a été effacé.

Pour joindre un représentant du service à la clientèle entraîné, s'il vous plaît utiliser une des méthodes suivantes:
ZAGG.com/support/contact.php | questions@zagg.com
1-800-700-ZAGG [9244] | 00-1-801-839-3906 pour les clients internationaux

Pour protection contre les rayures inégales pour votre appareil mobile, nous recommandons l'InvisibleShield® de Zagg.

© 2016 ZAGG Inc Tous droits réservés | NASDAQ : ZAGG | FABRIQUÉ EN CHINE

Bluetooth® est une marque déposée de Bluetooth SIG, Inc.

ZAGG®, Now Cam™, et InvisibleShield®, sont des marques ou des marques déposées de ZAGG Inc.

DÉCLARATION DU FCC

Cet appareil est conforme à la partie 15 des règles de la FCC. Son fonctionnement est soumis aux deux conditions suivantes : (1) Cet appareil ne peut pas causer des interférences nuisibles, et (2) cet appareil doit accepter toute interférence reçue, y compris les interférences qui peuvent provoquer un fonctionnement indésirable.

Cet équipement a été testé et trouvé conforme aux limites pour un appareil numérique de classe B, conformément à la partie 15 des règles de la FCC. Ces limites sont conçues pour fournir une protection raisonnable contre les interférences nuisibles dans une installation résidentielle. Cet équipement génère, utilise et peut émettre une énergie de radiofréquence et, s'il n'est pas installé et utilisé conformément aux instructions, peut causer des interférences nuisibles aux communications radio. Cependant, il n'existe aucune garantie que des interférences ne se produiront pas dans une installation particulière. Si cet équipement provoque des interférences nuisibles à la réception radio ou télévision, ce qui peut être déterminé en mettant l'équipement sous tension et hors tension, l'utilisateur est encouragé à essayer de corriger l'interférence par une ou plusieurs des mesures suivantes:

- Réorienter ou déplacer l'antenne de réception.
- Augmenter la distance entre l'équipement et le récepteur.
- Connecter l'équipement à une sortie sur un circuit différent de celui sur lequel le récepteur est branché.
- Consulter le revendeur ou un technicien radio/TV expérimenté pour de l'aide supplémentaire.

FCC Mise en Garde : Les changements ou modifications non expressément approuvés par la partie responsable de la conformité pourraient annuler l'autorité de l'utilisateur à utiliser l'équipement.

Cet émetteur ne doit pas être co-localisées ou opérant en conjonction avec tout autre antenne ou émetteur.

Le produit conforme à la limite d'exposition RF portable FCC établies pour un environnement non contrôlé et sont sans danger pour le fonctionnement prévu, comme décrit dans ce manuel. La poursuite de la réduction de l'exposition RF peut être obtenu si le produit peut être maintenu autant que possible à partir du corps de l'utilisateur ou que l'appareil pour abaisser la puissance de sortie si cette fonction est disponible.

ZAGG®

Now Cam™

Instrucciones

REGISTRO DE GARANTÍA

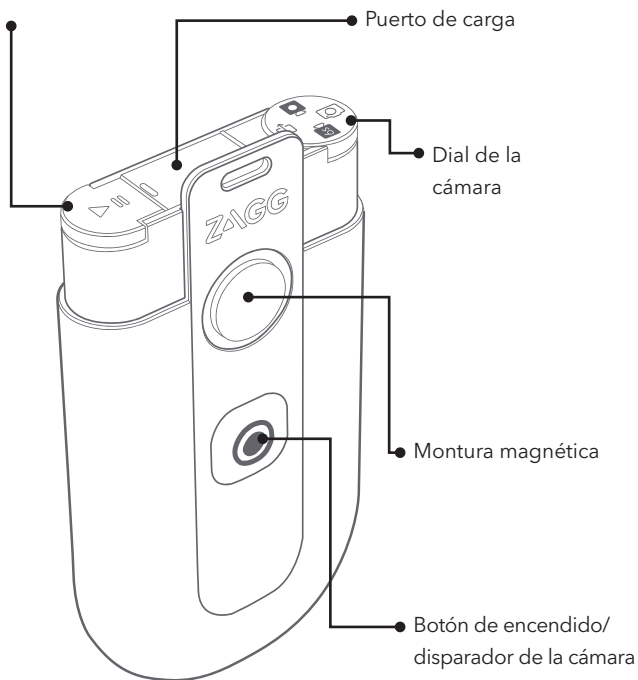
El ZAGG Now Cam™ viene con un año de garantía de fábrica. Para activar la garantía, debes registrar el Now Cam así como conservar el comprobante de compra. Si compraste el Now Cam desde ZAGG.com, ZAGG ya lo ha registrado y tiene copia de tu comprobante de compra.

SI NECESITAS AYUDA, POR FAVOR VISITA NUESTRA SECCIÓN DE PREGUNTAS FRECUENTES EN: www.zagg.com/faq

INTRODUCCIÓN

Bienvenido a tu siguiente aventura. El ZAGG Now Cam te proporciona una manera sencilla de capturar tus recuerdos sin el riesgo de rayar o perder el teléfono. Escucha música, responde a llamadas en modo manos libres, graba vídeos o saca fotos mientras estás con tus amigos y capta momentos que durarán toda la vida. Las siguientes instrucciones te mostrarán cómo sacar el máximo partido a tu Now Cam, guárdalas para futuras consultas.

Encendido/
control del altavoz



UTILIZACIÓN DEL ALTAVOZ

Encendido y Conexión

Conectar el Now Cam es fácil y solamente necesita hacerse una vez, después el Now Cam se conectará de forma automática a tus dispositivos cuando lo enciendas. El Now Cam recuerda varios dispositivos y no necesita conectarse para que la cámara funcione, la conexión es sólo para la música.

1. Para encender el Now Cam, mantén pulsado el botón de Encendido/Control del Altavoz durante tres segundos. Un tono te avisará y el LED situado al lado de la cámara parpadeará en rojo para indicar que está encendido.
2. La primera vez que enciendas el altavoz Now Cam, se pondrá automáticamente en modo conexión. Esto se indicará mediante el LED parpadeando en color rojo y luego en azul cada segundo. Para conectar el Now Cam con varios dispositivos, mantén pulsado el botón de encendido del altavoz durante cinco segundos cuando lo enciendas para hacerlo entrar en modo conexión.
3. Accede a los ajustes de Bluetooth® de tu dispositivo y asegúrate que el Bluetooth está activado.
4. El menú Bluetooth de tu dispositivo mostrará "ZAGG Now Cam" como disponible para conectarse. Selecciona esta opción y completa cualquier paso adicional de conexión dependiendo del dispositivo que tengas. Otro tono te indicará que se ha conectado y el LED parpadeará en azul cada siete segundos mientras esté conectado.
 - a. Si la conexión no se realiza tras 60 segundos, el altavoz Now Cam dejará de buscar dispositivos a los que conectarse y los LED dejarán de parpadear. Cuando esté conectado, sonará un tono si la conexión Bluetooth se pierde por algún motivo. Si eso sucede, el Now Cam empezará a buscar un dispositivo al que conectarse automáticamente y seguirá buscando durante 60 segundos. Si no encuentra un dispositivo, los LED dejarán de parpadear y la función Bluetooth se apagará, aunque la cámara seguirá funcionando. Para iniciar el proceso de conexión nuevamente, apaga y vuelve a encender el altavoz Now Cam. Si lo estás conectando a un segundo dispositivo, mantén pulsado el botón de encendido del altavoz durante cinco segundos tal y como describimos anteriormente.
5. Cuando quieras apagar el altavoz Now Cam, mantén pulsado el botón de Encendido/Control durante tres segundos. Sonará un tono a la vez que el LED parpadeará en rojo para indicar que el altavoz se ha apagado. **Nota: El altavoz Now Cam se apagará de forma automática si permanece inactivo durante 15 minutos. La cámara se apagará automáticamente si permanece en reposo durante cinco minutos.**

REPRODUCIR MÚSICA

Una vez esté conectado, el Cam Now está listo para reproducir música de forma portátil dondequiera que vayas. Aquí mostramos cómo controlar la música:

1. Sigue las instrucciones de conexión descritas anteriormente.
2. Selecciona una lista de reproducción en tu dispositivo.
3. Pulsa el botón de Reproducción en el Now Cam.
 - a. Pulsa el botón de Reproducción de nuevo para detener o reanudar la reproducción.
 - b. Pulsa el botón de Reproducción dos veces rápidamente para avanzar hacia adelante en la lista de reproducción seleccionada. **Nota: El altavoz Now Cam entrará en modo reposo si no reproduce nada durante 60 segundos. El LED seguirá parpadeando en azul para indicar que todavía está conectado. Vuelve a reproducir música para activarlo.**

RESPONDER LLAMADAS

El Now Cam lleva un micrófono integrado que te permite usarlo como un teléfono manos libres. Si estás escuchando música, la música se detendrá cuando entre una llamada y continuará de forma automática cuando termines. Aquí mostramos cómo hablar mientras lo utilizas:

1. Pulsa el botón de Reproducción una vez para responder a una llamada entrante.
2. Pulsa el botón de Reproducción de nuevo para finalizar la llamada. Si estabas escuchando música cuando recibiste la llamada, la música se detendrá y volverá a sonar automáticamente cuando la llamada termine.

UTILIZACIÓN DE LA CÁMARA

El Now Cam tiene 4GB de almacenamiento integrado, eso es suficiente como para guardar hasta 1600 fotografías en HD® o 30 minutos de vídeo. Transferir las fotos y los vídeos es muy sencillo y solamente llevará unos segundos, dejándote más tiempo para divertirte. Lee a continuación las instrucciones para usar la cámara.

DESCARGA LA APLICACIÓN

Para que la cámara Now Cam pueda transferir archivos a tu dispositivo, necesitarás descargar su aplicación. Puedes encontrarla buscando "ZAGG Now Cam" en el App Store o en Google Play. Sigue el proceso de descarga de la aplicación para tu dispositivo y listo.

HACER FOTOGRAFÍAS

Hacer fotos con tu cámara Now Cam es tan sencillo como apuntar y disparar. Aquí está cómo hacerlo:

1. Asegúrate de que la cámara Now Cam está encendida manteniendo pulsado el botón de Encendido / Disparador de la cámara durante tres segundos. Sonará un tono y el LED situado al lado de la lente de la cámara se encenderá en color rojo para indicar que está encendido.
2. Gira el dial de la cámara para que el icono de la cámara quede alineado con el núcleo de selección rojo.
3. Pulsa el botón del disparador una vez.
4. Cada vez que saques una foto, sonará un clic y el LED que hay al lado de la montura magnética parpadeará en rojo una vez. **Nota: Si estás reproduciendo música mientras sacas fotografías, la música se parará durante el clic del disparador y se reanudará automáticamente. Esto sucede para verificar que la foto se ha sacado.**

GRABAR VÍDEO EN MODO RÁFAGA

El Now Cam puede capturar vídeos cortos de seis segundos, perfectos para compartir los buenos momentos en las redes sociales. Recuerda, el Now Cam no necesita estar conectado a través de Bluetooth para que la cámara funcione. Aquí mostramos cómo grabar esos clips:

1. Asegúrate que la cámara Now Cam está encendida tal y como describimos anteriormente.
2. Gira el dial de la cámara para que el icono 6s quede alineado con el núcleo de selección rojo.
3. Pulsa el botón del disparador una vez.
4. Un tono indicará que la cámara está preparada y grabando. Si estabas reproduciendo música cuando empezaste a grabar, la música se detendrá hasta que la grabación termine y se reanudará automáticamente.
5. Mientras grabes, el LED situado al lado de la lente de la cámara parpadeará en rojo cada segundo. El Now Cam dejará de grabar de forma automática tras seis segundos o también puedes detener la grabación manualmente pulsando el botón del disparador otra vez.

GRABAR VÍDEO EN MODO CONTINUO

Para cuando necesitas más que una fotografía o más de seis segundos de grabación, el Now Cam está preparado para grabar hasta 30 minutos de vídeo seguidos. Recuerda, el Now Cam no necesita estar conectado a través de Bluetooth para que la cámara funcione. Sigue leyendo para ver cómo se hace.

1. Asegúrate de que el Now Cam está encendido tal y como describimos anteriormente.
2. Gira el dial de la cámara para que el icono de vídeo quede alineado con el núcleo de selección rojo.
3. Pulsa el botón del disparador una vez.
4. Un tono indicará que la cámara está preparada y grabando. Si estabas reproduciendo música cuando empezaste a grabar, la música se detendrá hasta que la grabación termine y se reanudará automáticamente.
5. Mientras grabes, el LED situado al lado de la lente de la cámara parpadeará en rojo cada segundo. Para dejar de grabar, pulsa el botón del disparador otra vez.

TRANSFERIR DATOS A TRAVÉS DE WI-FI

Cuando hayas capturado algunas fotos o vídeos increíbles, pasarlos a tu dispositivo móvil es muy sencillo. A continuación mostramos lo fácil que es:

1. Asegúrate que la cámara Now Cam está encendida.
2. Gira el dial de la cámara para que el icono de descarga quede alineado con el núcleo de selección rojo.
3. Abre los ajustes Wi-Fi de tu dispositivo y selecciona "ZAGG Now Cam".
4. Abre la aplicación ZAGG Now Cam en tu dispositivo.
5. Abre el Carrete de la Cámara de la aplicación.
6. Selecciona qué fotos y vídeos te gustaría transferir tocándolos. Aparecerá una casilla de verificación en las fotos y vídeos marcados.
7. Toca el icono de descarga de la aplicación. Los archivos seleccionados empezarán a transferirse al carrete de la cámara de tu teléfono. **Nota: Las fotos y vídeos que hayas sacado con el Now Cam sólo se verán en el dispositivo cuando el dial de la cámara se gire al icono de descarga y el Now Cam esté conectado a tu dispositivo a través de Wi-Fi. Además, la transferencia Wi-Fi está concebida inicialmente para imágenes y vídeos cortos. Recomendamos usar el cable micro USB que trae para transferir archivos grandes.**

TRANSFERIR DATOS A TRAVÉS DE MICRO USB

También puedes pasar tus fotos y vídeos de forma rápida y sencilla directamente a tu ordenador utilizando el cable micro USB que trae el Now Cam. Aquí se muestra cómo:

1. Conecta el cable micro USB a tu Now Cam levantando la tapa situada al lado del dial de la cámara.
2. Conecta el extremo USB del cable a tu ordenador. La cámara se encenderá automáticamente.
3. Tu ordenador reconocerá el Now Cam como un nuevo dispositivo. Copia y pega los archivos donde prefieras o simplemente arrástralos y suéltalos.
4. Cuando se hayan transferido los archivos, el LED parpadeará en color rojo cada dos segundos para indicar que el Now Cam está cargándose.
5. Quita el cable cuando quieras y sigue disfrutando de tu dispositivo.

INSTRUCCIONES GENERALES

Carga

El Now Cam está listo para ofrecer horas de música, fotos y vídeo*. Te avisará cuando la batería alcance el 20% de su capacidad. Recargarlo es rápido y fácil. Aquí mostramos cómo:

1. El LED situado al lado de la montura magnética parpadeará en color rojo cada siete segundos cuando la batería recargable del Now Cam alcance el 20% de capacidad restante.
2. Levanta la tapa situada entre el dial de la cámara y el botón de encendido para dejar expuesto el puerto micro USB.
3. Conecta el cable micro USB que trae a dicho puerto.
4. Conecta el extremo del USB a la toma USB que prefieras. El LED se encenderá en color rojo mientras se carga.
5. Cuando la luz LED se apague, el Now Cam estará completamente cargado. Quita el cable de carga y sigue con tus actividades.

*Las horas de uso varían dependiendo del tiempo de reproducción de la música y del tiempo de grabación. La grabación necesita más energía y consumirá la batería del Now Cam más rápido.

INSTALAR Y USAR LAS CORREAS

El Now Cam incluye tres prácticas correas que ayudan a que el dispositivo te acompañe durante tus actividades. Instalar las correas es muy sencillo, aquí mostramos cómo hacerlo:

1. Pasa el extremo fino de la correa por el orificio del Now Cam que está justo encima de la montura magnética. Tira hasta que el clip extraíble de la correa toque el orificio.
2. Enrolla la correa hacia arriba y sobre el orificio y colócala a través del extremo fino que acabas de pasar por el orificio.
3. Tira de la correa completamente a través del extremo fino hasta que quede apretado.
4. Pasa la mano por la correa para mayor seguridad durante tus actividades.

MONTAR EL NOW CAM

El Now Cam trae una potente montura magnética. Simplemente coloca el imán en una superficie de metal, sigue las instrucciones de "Grabar Vídeo en Modo Continuo" y captura momentos increíbles. La montura magnética también sirve para el Soporte Now Cam (se vende por separado) y hace que puedas colocar el Now Cam casi en cualquier parte de forma muy sencilla.

BORRAR CONTENIDO DEL NOW CAM

Si alguna vez quieres borrar la memoria del Now Cam puedes hacerlo a través de la aplicación. No olvides que esta acción borra de forma permanente todos los datos guardados en el Now Cam y que no podrán recuperarse. Borra únicamente el contenido del Now Cam cuando hayas transferido los archivos que quieres guardar.

1. Asegúrate que el Now Cam está encendido.
2. Conecta la cámara a través de Wi-Fi tal y como describimos anteriormente.
3. Selecciona el icono de equipo en la aplicación.
4. Selecciona "Quitar todas las fotos/vídeos del Now Cam" debajo de la sección de Borrar y luego selecciona Borrar.
5. La aplicación mostrará un mensaje cuando todo el contenido haya sido borrado.

Para ponerte en contacto con un representante del Servicio de Atención al Cliente, por favor utiliza uno de los siguientes medios:

ZAGG.com/support/contact.php | questions@zagg.com

1-800-700-ZAGG [9244] | 00-1-801-839-3906 para clientes internacionales

Para conseguir una protección inigualable del dispositivo, recomendamos ZAGG'S InvisibleShield®.

©2016 ZAGG Inc Todos los derechos reservados | NASDAQ: ZAGG | FABRICADO EN CHINA

Bluetooth® es una marca registrada de Bluetooth SIG, Inc.

ZAGG®, Now Cam™ e InvisibleShield® son nombres comerciales o marcas registradas de ZAGG Inc.

DECLARACIÓN FCC

Este dispositivo cumple con la Parte 15 de la Normativa de la FCC. Su funcionamiento está sujeto a las dos condiciones siguientes: (1) Este dispositivo no puede producir interferencias dañinas, y (2) el dispositivo debe admitir las interferencias recibidas, incluso interferencias que causen un funcionamiento no deseado.

Este equipo ha sido sometido a prueba y cumple con las limitaciones impuestas a los dispositivos digitales de Clase B, de conformidad con la Parte 15 de la Normativa FCC. Dichas limitaciones se han concedido como medida de protección eficaz contra las interferencias dañinas en instalaciones domésticas. Este equipo genera, utiliza y puede emitir energía de radiofrecuencia y, si no se instala y utiliza de acuerdo a las instrucciones, podría provocar interferencias dañinas a las radiocomunicaciones. No obstante, no se puede garantizar que no ocurran interferencias en algunas instalaciones. Si este equipo ocasiona interferencias perjudiciales en la recepción de radio o televisión, que pueden comprobarse encendiendo y apagando el equipo, se recomienda al usuario que intente corregir dicha interferencia mediante una de las siguientes acciones:

- Cambia la orientación o la posición de la antena receptora.
- Aumenta la separación entre el equipo y el receptor.
- Conecta el equipo a una toma o circuito diferente al del receptor.
- Ponte en contacto con el distribuidor o con un técnico de radio y televisión.

Precaución de la FCC: Cualquier cambio o modificación no autorizados de forma expresa por la parte responsable de su cumplimiento podría anular el derecho del usuario a utilizar el equipo.

Este transmisor no debe colocarse ni utilizarse junto a ninguna otra antena o transmisor.

El producto cumple con la Normativa de la FCC sobre el límite de exposición a radiofrecuencias establecido para un entorno no controlado y es seguro para utilizarse tal y como se describe en este manual. Se puede lograr una mayor reducción de la exposición a radiofrecuencias si se mantiene el producto lo más alejado posible del usuario o si se fija la potencia de salida a un nivel más bajo siempre y cuando dicha función esté disponible.